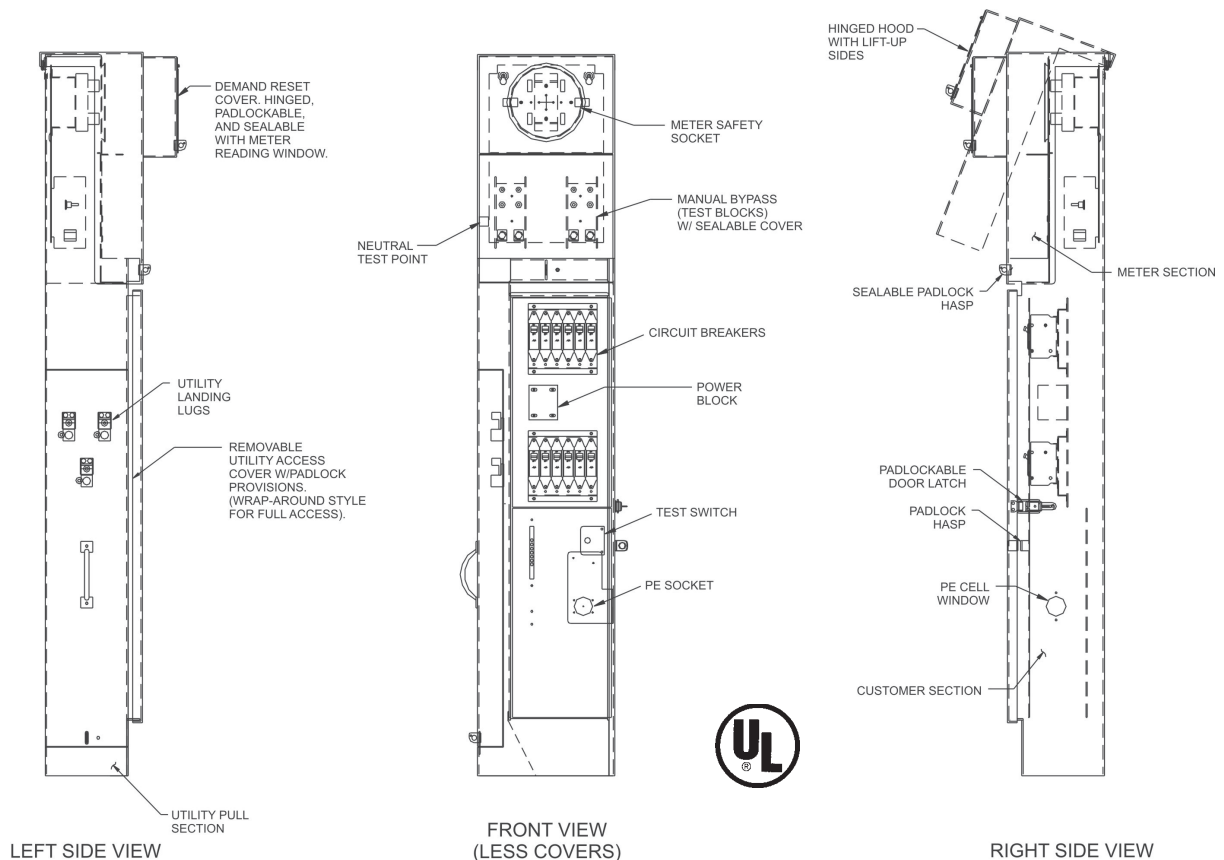




MEUG3A Series Caltrans Type III-AF

Designed to supply metered power to remote locations.
Typical applications include parking lot lights, pump stations, traffic signals and remote lighting.



MODEL MEUG3A-1263
TYPICAL PEDESTAL DETAILS

STANDARD FEATURES

- Corrosion-resistant .125 aluminum uni-body construction.
- Rainproof type 3R enclosure.
- Complies with Caltrans specification ES-2D, Type III-AF.
- Designed around EUSERC 308 requirements.
- All factory wiring is 600 volt rated copper, THHN.
- Meter socket with test blocks.
- Acceptable circuit breakers are GE, Cutler-Hammer. Clip-on and bolt-on type, 10K AIC.
- Listed by Underwriters Laboratories, Inc.
- Vandal-resistant side hinged door and dead front.

OPTIONAL FEATURES

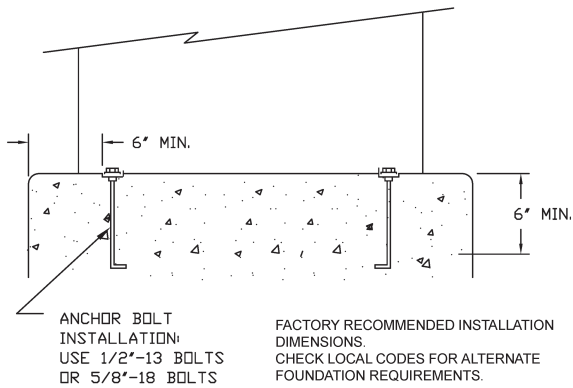
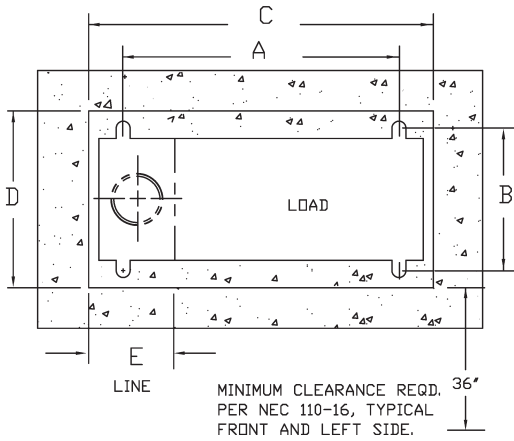
- Suitable for use without main when no more than six service disconnects are installed and used in accordance with article 384 of the NEC.
- P.E. cell, test switch, lighting relay may be added to standard pedestal.
- Anchor bolts, 5/8" dia. or 1/2" dia. Order separately (quantity 4).
- Available in stainless steel.
- Light green powdercoat finish available in accordance with ASTM B-117. Custom colors available.
- Some equipment modifications available. Consult your factory representative.
- Higher AIC available upon request.

STANDARD MODELS/SPECIFICATIONS

Catalog Number Series	Enclosure Size	Max. Voltage	Phase	Meter Socket Amps	Max. Amps	Typical Applications
MEUG3A-1248	12W x 48H x 7.25D	480	1	100 Continuous	100	Street Lighting, Traffic Signals, Athletic Field Lighting, Court Lighting, Park Lighting
MEUG3A-1263	12W x 63H x 7.25D	480	1	100 Continuous	100	
MEUG3A-2048	20W x 48H x 10.25D	480	1 or 3	200 Continuous	200	
MEUG3A-2063	20W x 63H x 10.25D	480	1 or 3	200 Continuous	200	
MEUG3A-2050	20W x 50H x 10.25D	120	1	100 Continuous	20	Landscape Irrigation
MEUG3A-3060	30W x 60H x 17.38D	480	1 or 3	200 Continuous	200	Pump Station

MODEL SERIES: MEUG3A-12 & -20

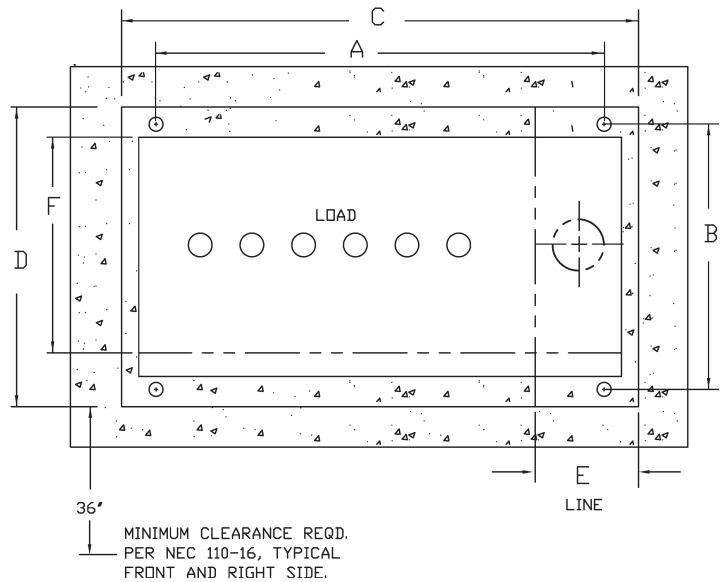
BASE PLAN



TYPICAL FRONT VIEW

MODEL SERIES: MEUG3A-30

BASE PLAN



BASE PLAN DIMENSIONS

Model Series	Dimensions in Inches					
	A	B	C	D	E	F
MEUG3A-12	8.00	5.25	12.00	7.25	5.00	N/A
MEUG3A-20	16.00	8.25	20.00	10.25	5.00	N/A
MEUG3A-30	26.00	15.38	30.00	17.38	6.00	12.50



Tel: 866-MY-MYERS Fax: 951-520-1961
www.myerspowerproducts.com