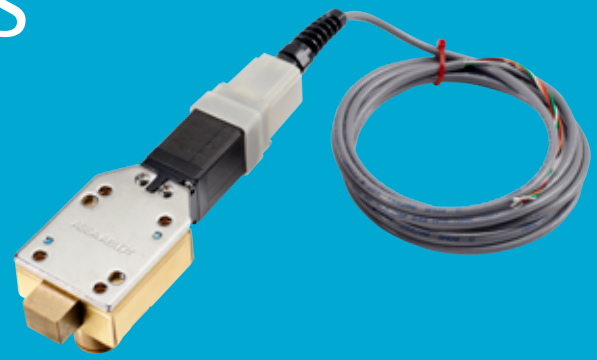


HES[®] 630REL Series Enclosure Lock

Real-time access & monitoring for the harshest environments



Integrated solution for extending access control to secure traffic cabinet doors used in unmanned infrastructure.

The HES 630REL provides a reliable, safe and secure way to protect physical assets stored within unmanned enclosures. Designed to be a direct replacement for traditional CR2 mechanical locking solutions, the HES 630REL comes standard with integrated locked state monitoring and key override. The HES 630REL provides managers greater flexibility and control to track and manage who is accessing their enclosures.

Features

Standard Features

- For use with most enclosures controlled by a cam activated three-point latching mechanism
- Direct replacement for Corbin No. 15481RS enclosure lock or equivalent 55481
- Surface mounts easily with minimal tools
- Hard powered by 24 VDC (+/-10%)
- Integrates with existing electronic access control systems
- Integrated locked state monitoring
- Fail secure
- Solid brass and stainless steel construction
- Non-handed
- SecuriCare three-year, no fault, no questions asked warranty

Optional Features

- Mechanical or intelligent key override (standard)
 - Medeco M3 (high security)
 - Medeco XT Intelligent key override (standard)



3 Year
SecuriCare
Warranty

Swinging
Door

Specifications

Compliance

- Meet or exceed NEMA TS 2-2016
- Meet or exceed vibration: 0.5g at 5 to 30Hz
- Meet or exceed shock: 10g's
- Designed to meet NEMA TS 2-2016
- FCC Part 15 & Industry Canada Compliant
- RoHS Compliant

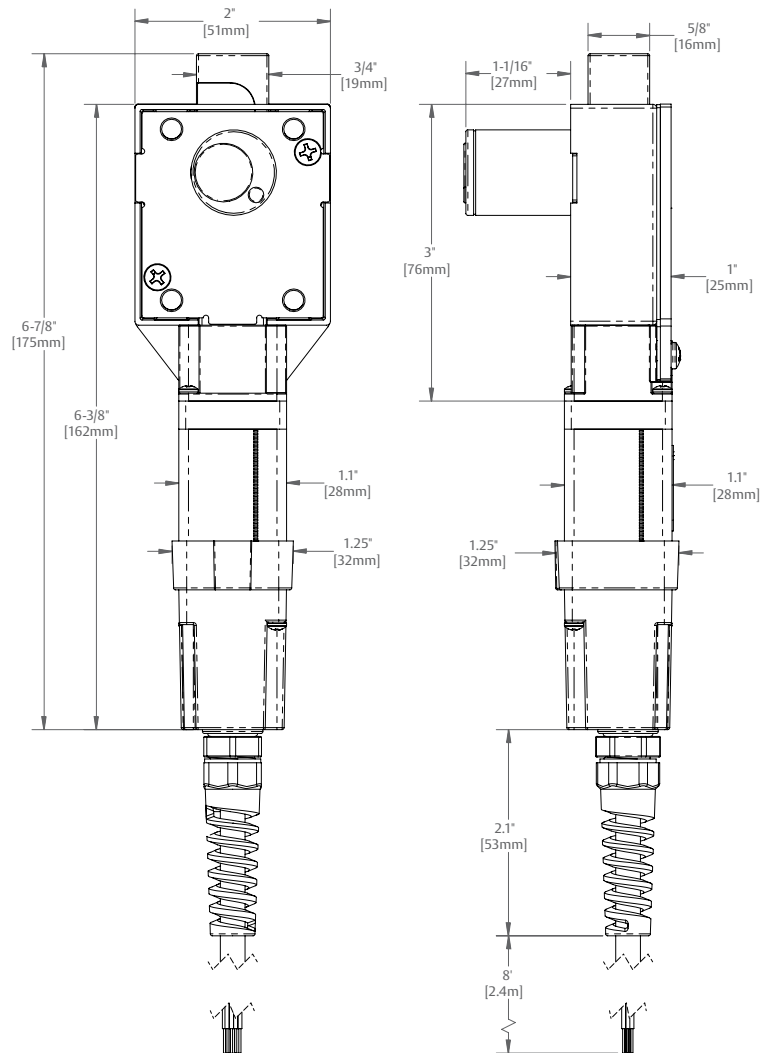
Electrical

- 24 VDC ± 10%
 - inrush current (Max): 650 mA (80 μS)
 - standby current (Max): 20 mA

Environmental

- Operating temperature: -30° to 165° F (-34° to 74° C)
- Storage temperature: -50° to 185° F (-50° to 85° C)
- Operating humidity: 0 to 95% RH non-condensing

Dimensions



How to Order

SERIES	MODEL	KEY OVERRIDE
630	REL	-XT
	REL Ruggedized (Weather Resistant) Electromechanical Deadbolt Lock	XT-XXXXXX MEDECO XT Intelligent Keyway (Field Programming Required)

NOTE: Locked State Monitoring (Included Standard)

How to Order

SERIES	MODEL	CARD TECHNOLOGY	KEY OVERRIDE
K200-630	REL	IPS	-XT
	REL Ruggedized (Weather Resistant) Electromechanical Deadbolt Lock	IPS HID Prox®, Kantech ioProx, HID iCLASS®, HID iCLASS SE® (SIO-enabled), HID iCLASS® Seos™, HID MIFARE® SE, HID DESFire® EV1 SE, MIFARE Classic, MIFARE DESFire EV1, NFC-enabled mobile phones	XT-XXXXXX MEDECO XT Intelligent Keyway (Field Programming Required)