

**DEPENDABILITY ADAPTABILITY**  
**RELIABILITY DURABILITY**



## Blank Out and Lane Control Signs

As a leading manufacturer of enclosures and illuminated street name, blank out and lane control signs in the U.S., Southern Manufacturing has a history of quality and reliability that dates back to 1938.

Utilizing a clear vision for traffic safety, Southern Manufacturing is dedicated to improving technology and fabrication. At the same time we are keeping the highest standards of quality, reliability and low cost of operation for our customers. Southern's depth of engineering and manufacturing turn today's challenges into tomorrow's realities



Southern Manufacturing is proud to be recognized as a leading manufacturer of Blank Out and Lane Control signs. Southern can design and engineer energy efficient LED signs using standard MUTCD symbols as well as unique displays. At Southern Manufacturing, dedication to continuous improvements in the technology and fabrication of Blank Out and Lane Control signs has led to great developments in quality and design. We manufacture a variety of sizes ranging from 24 inches up to 60 inches wide.

Using solid state, high flux/high output light emitting diodes these signs are engineered to withstand 110 mile per hour winds. With a minimum projected life of 50,000 hours, cost of operation has become a major decision factor in the engineering and fabrication of these signs.

Constructed from T5052 H32 .125" sheet aluminum the body and frame is light weight and durable. The sign bodies are continuously welded for superior strength and weather protection. Door frame and body are powder coated to a standard black, with additional finishes available.

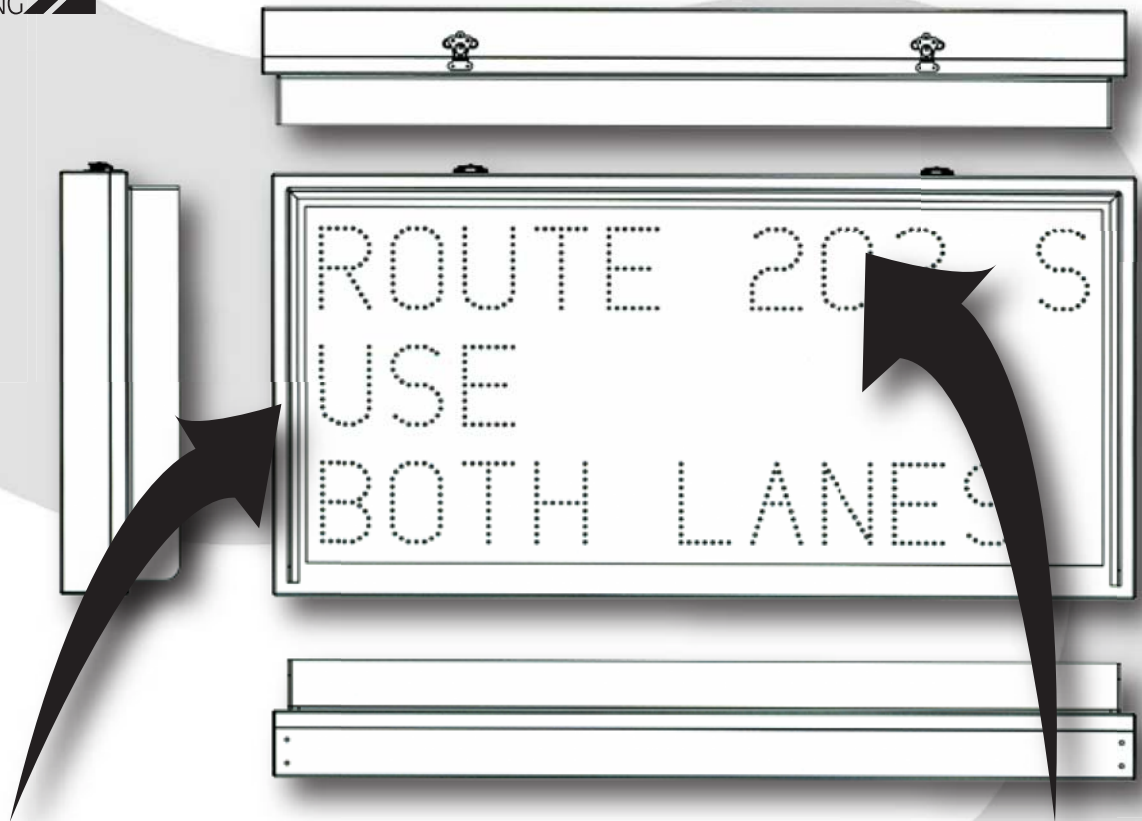
**Blank Out and Lane Control Signs**  
**NTCIP**  
**Custom Signs Available**



**Southern Manufacturing**  
**501 Herndon Avenue**  
**Orlando, FL 32803**  
**PH: 407-894-8851**  
**1-800-866-5699**  
**contactus@southernmfg.com**



# Blank Out and Lane Control Signs



## Body and Door Frame:

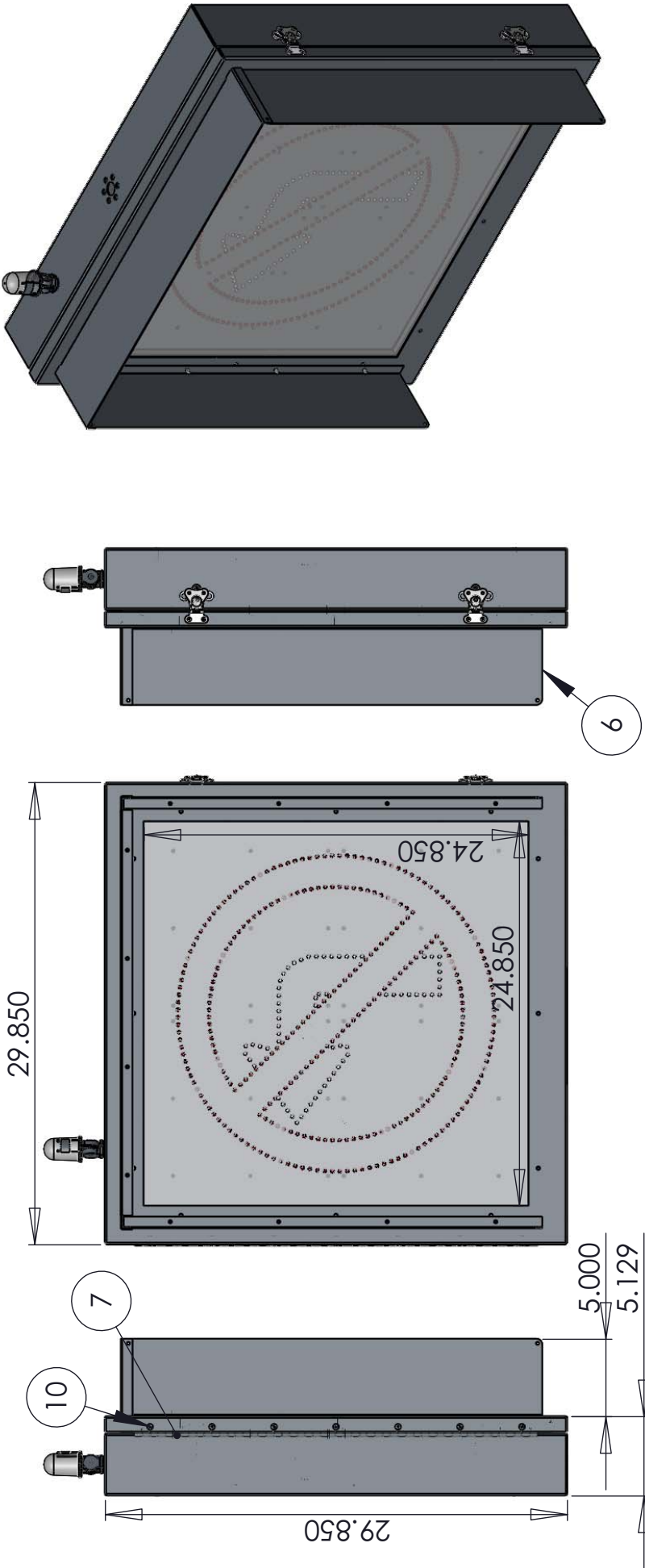
Body and door frame construction is produced from T5052 H32 .125" sheet aluminum. Our sign bodies are continuously welded for superior strength and weather protection. A neoprene gasket is affixed around the lenses and doors for a weather tight seal. Full length stainless steel hinges are used on our sign bodies. Our doors are double channeled around the entire door for a weather tight seal. Door frame and body are powder coated black satin. Additional finishes are available. Quick release stainless steel butterfly latches are used for easy access. Glare shields are available upon request.

## Light Emitting Diodes (LED):

The Led Package is a T1-3/4 and uses a water clear lens. Each led is parallel wired to insure independent operation and to prevent sequential failure. The LED's are under-driven by approximately 30-35% to increase reliability.

## Power Supply:

The input voltage of our Blank Out and Lane Control sign is 90 volts to 246 volts A/C, switch selectable. Our basic lane control and blank out sign is 50/60 hertz input frequency. Southern Manufacturing signs are designed with over current and transient protection.



ITEM NO.	PART NUMBER	DESCRIPTION	Rev	Syspro Number
1	Assy BOS Back Panel v2	BOS Back Panel	1	1
2	Assy BOS-AL-30x30-BOS Door	30x30 BOS Door Assembly	1	1
3	Assy BOS-AL-30x30-MSGBoard Assy NLT	30x30 BOS NLT Messageboard Assy	1	1
4	BOS-AL-30x30x5-BOS Body-1	Sign Body Assembly	1	1
5	BOS-AL-30x5-Sun Shield Top-1	Top Sun Shield	1	1
6	BOS-AL-30x5-SunShield Side-1	Side Sun Shield	1	2
7	BOS-SS-30x175-BOS Hinge-1	Hinge, Stainless Steel	1	1
8	CR-PHMS 0.19-32x0.625x0.625-S		1	Production Supply
9	MSHXNUT 0.190-32-D-S		1	Production Supply
10	Rivit #66x375	Rivit #66, Stainless Steel	1	Production Supply



**Southern Manufacturing**  
 501 Herndon Ave  
 Orlando, FL 32803 407-894-8851

DRAWN BY:	GWM	NAME	GWM	DATE	8/5/2008
CHECKED:					
MFG APPR:					
Cust APPR:					

P/N: **\_Assy BOSLED3030NLT**  
**BOS 30x30x5**

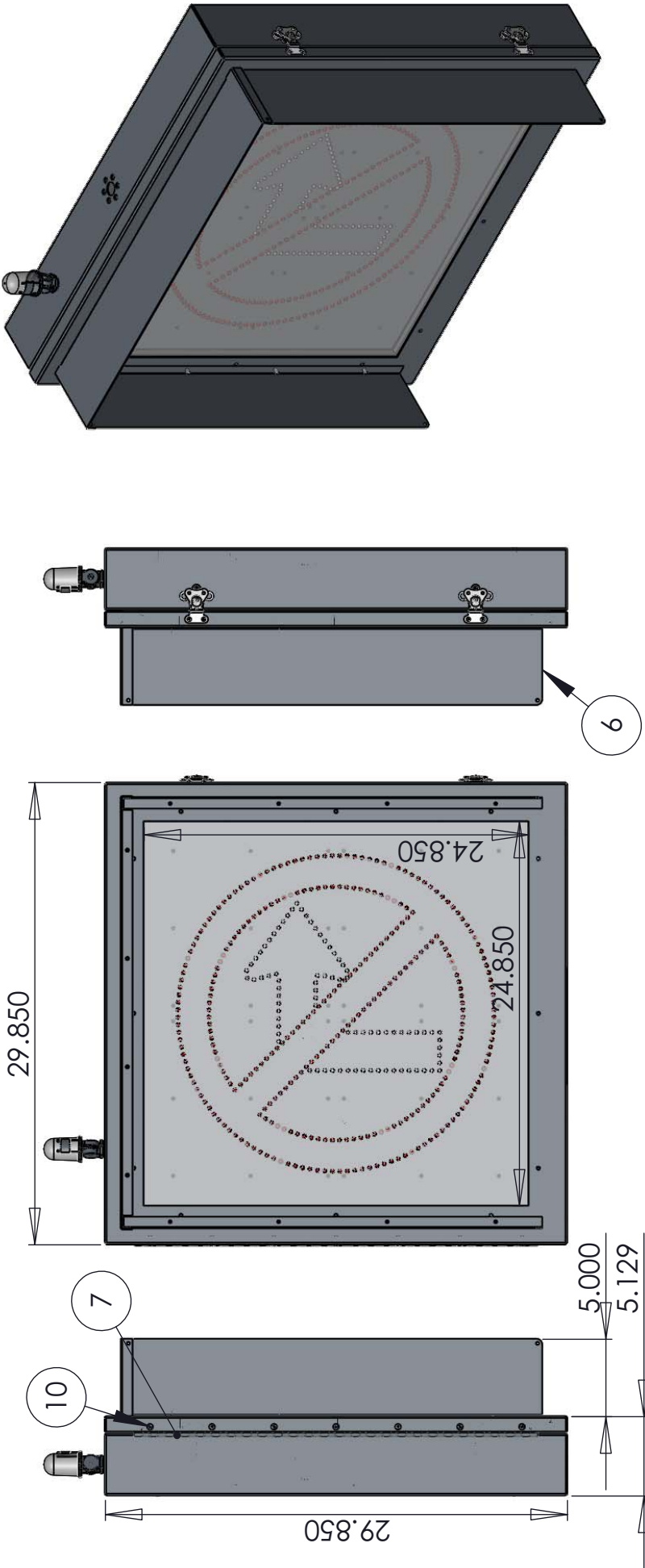
Scale: 1:10 Sheet 1 of 5

**PROPRIETARY AND CONFIDENTIAL**

The information contained in this drawing is the sole property of Southern Manufacturing. Any reproduction in part or as a whole without the written permission of Southern Manufacturing is prohibited.

Rev: **1**  
 SIZE **A**





ITEM NO.	PART NUMBER	DESCRIPTION	Rev	Syspro Number
1	Assy BOS Back Panel v2	BOS Back Panel	1	1
2	Assy BOS-AL-30x30-BOS Door	30x30 BOS Door Assembly	1	1
3	Assy BOS-AL-30x30-MSGBoard Assy NRT	No Right Turn Messageboard & PCB	1	1
4	BOS-AL-30x30x5-BOS Body-1	Sign Body Assembly	1	1
5	BOS-AL-30x5-Sun Shield Top-1	Top Sun Shield	1	1
6	BOS-AL-30x5-SunShield Side-1	Side Sun Shield	1	2
7	BOS-SS-30x175-BOS Hinge-1	Hinge, Stainless Steel	1	1
8	CR-PHMS 0.19-32x0.625x0.625-S	Production Supply	1	7
9	MSHXNUT 0.190-32-D-S	Production Supply	1	7
10	Rivit #66x375	Rivit #66, Stainless Steel	1	7



**Southern Manufacturing**  
 501 Herndon Ave  
 Orlando, FL 32803 407-894-8851

DRAWN BY:	GMM	NAME	GMM	DATE	8/5/2008
CHECKED:					
MFG APPR:					
Cust APPR:					

**PROPRIETARY AND CONFIDENTIAL**  
 The information contained in this drawing is the sole property of Southern Manufacturing. Any reproduction in part or as a whole without the written permission of Southern Manufacturing is prohibited.

# Blank-Out-Sign Mount Sheet

Guidelines for mounting Blank-Out-Signs are as follows:

## For Sign Bodies Less Than 30.0" x 30.0" x 5.0"

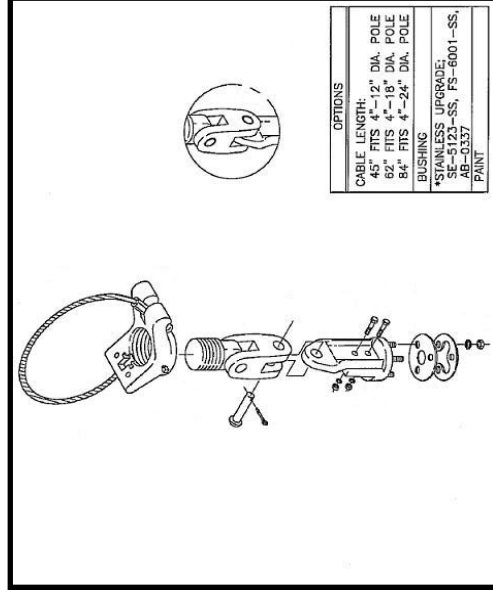
This sign is designed to be mounted with either:

- One Top Mount Tri-Stud Bracket Assembly (Pelco SE-5148 or equivalent)
- One Rigid Mount Tri-Stud Bracket Assembly (Pelco SP-1006 or equivalent), or
- Two Rigid Side Mount Bracket Assemblies (Pelco SP-5496 or equivalent).

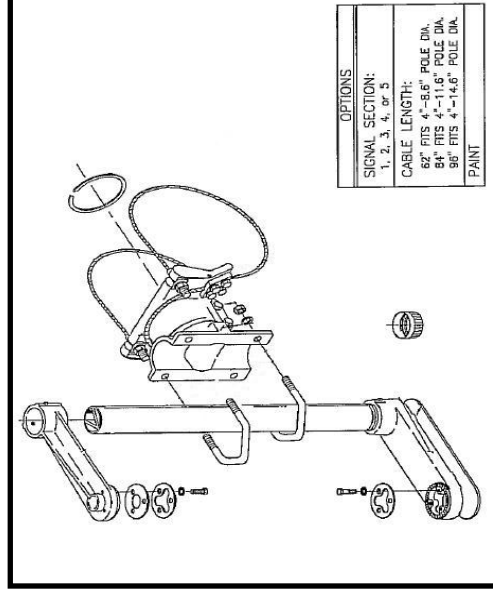
## For Sign Bodies 30.0" x 30.0" x 5.0" or Larger

This sign is designed to be mounted with:

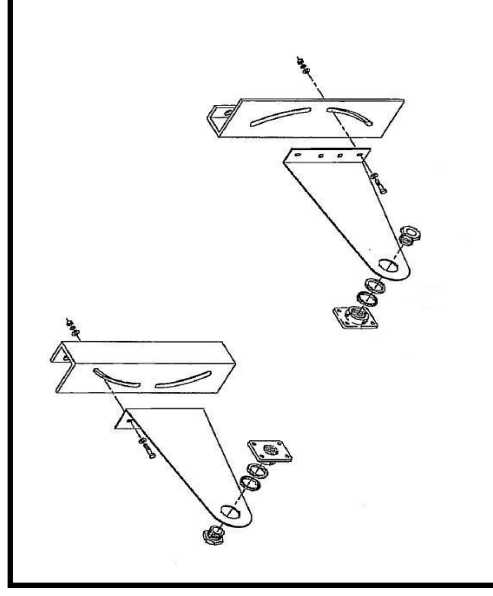
- Two Rigid Mount Tri-Stud Bracket Assemblies (Pelco SP-1006 or equivalent).



Top Mount Tri Stud Bracket Assembly



Rigid Mount Tri-Stud Bracket Assembly



Rigid Side Mount Bracket Assembly



## **FIVE YEAR LIMITED WARRANTY BLANK OUT AND LANE CONTROL SIGNS ALL MODELS**

Southern Manufacturing's (Southern or "seller") blank out and lane control signs are warranted to be free of defects in workmanship, materials and components. It further warrants that each product conforms to the seller's specifications including approved submittal drawings at the time of manufacture without limitation. The following warranty periods apply from the earlier of the date of initial installation or sixty (60) days from the date of shipment to the initial purchaser:

- LED light boards and strips are warranted to deliver a minimum of 70% of the initial lumens for five (5) years. LED boards and strips will be replaced at no charge for three (3) years and on a prorated basis thereafter.
- The power supply shall carry the warranty of the manufacturer.
- The housing and all other components are warranted for five (5) years.

THIS WARRANTY SPECIFICALLY EXCLUDES DAMAGE CAUSED BY IMPROPER INSTALLATION, DAMAGE CAUSED BY A THE INSTALLER, DAMAGE CAUSED BY ROADWAY TRAFFIC, ACTS OF VANDALISM, ACTS OF GOD, NORMAL WEAR AND TEAR, MODIFICATIONS OR ALTERATION OTHER THAN NORMAL MAINTENANCE, OR OTHER OCCURANCES OUTSIDE OF THE SELLERS CONTROL. THIS WARRANTY DOES NOT OBLIGATE SOUTHERN TO BEAR ANY TRANSPORTATION, REMOVAL OR INSTALLATION CHARGES IN CONNECTION WITH THE INSPECTION, REPAIR, OR REPLACEMENT OF DEFECTIVE PARTS. SOUTHERN'S OBLIGATION UNDER THIS WARRANTY SHALL NOT INCLUDE ANY LIABILITY FOR DIRECT, INDIRECT OR CONSEQUENTIAL DAMAGES OR DELAYS.

The purchaser assumes the responsibility of properly installing grounding the sign in accordance with local electrical and safety codes and determining the load ratings of any mounting hardware and structures not manufactured by the Seller.

THIS WARRANTY CONSTITUTES THE ENTIRE WARRANTY WITH RESPECT TO THIS PRODUCT AND IS IN LIEU OF ALL OTHERS, EXPRESSED OR IMPLIED, INCLUDING ANY WARRANTY OR OF MERCHANTABILITY AND WARRANTY OF FITNESS FOR A PARTICULAR PURPOSE AND IN NO EVENT IS SOUTHERN RESPONSIBLE FOR ANY CONSEQUENTIAL DAMAGES OF ANY NATURE WHATSOEVER.