

Aluminum 1-Way Side-of-Pole with Cast Nipples

Pelco's Side-of-Pole assemblies are designed to mount traffic and pedestrian signals on the side of traffic signal poles using an upper and lower arm. Available in aluminum or iron, and 1-1/2" NPS, tri-bolt, or tri-stud, and a vast array of hubs to accommodate both 1-way or 2-way signal configurations.



1-Way Upper & Lower Arm Assy, Alum Nipples, Alum

SE-3036 - -

Nipple Length Coating

06=6" PNC=Process No Color

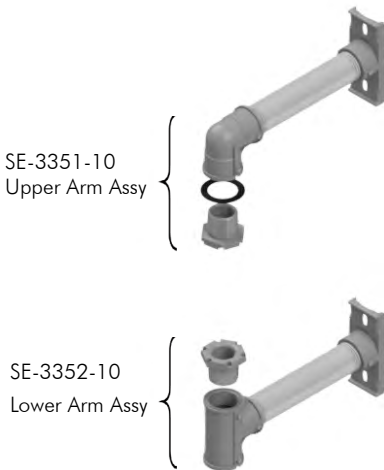
08=8" P__=Paint

10=10"

12=12"

14=14"

Note:
For available hub plates see Components page T14-17 through T14-20.



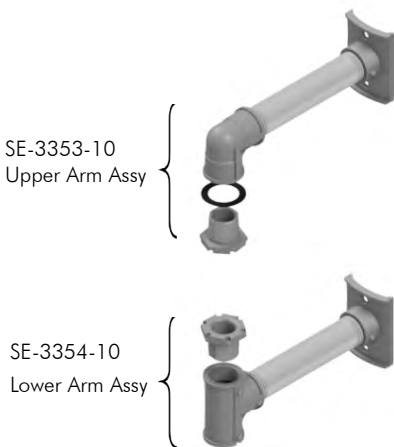
1-Way Upper & Lower Arm Assy, 10" Nipples, Universal Hub Plates, Alum

SE-3215 - 10 -

Coating

PNC=Process No Color

P__=Paint



1-Way Upper & Lower Arm Assy, 10" Nipples, Large Pole Hub Plates, Alum

SE-3148 -

Coating

PNC=Process No Color

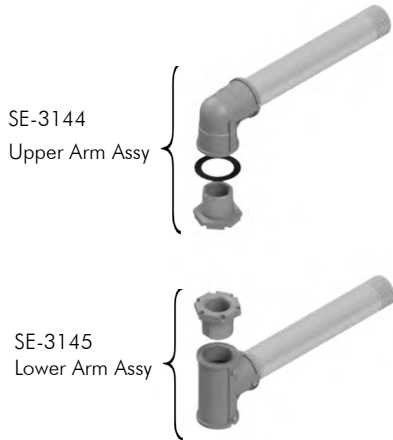
P__=Paint

Note: 1. All assemblies are supplied standard with stainless steel fasteners.
2. See Reference Section page v for available paint colors.



Aluminum 1-Way Side-of-Pole ICC Ped Head with Cast Nipples

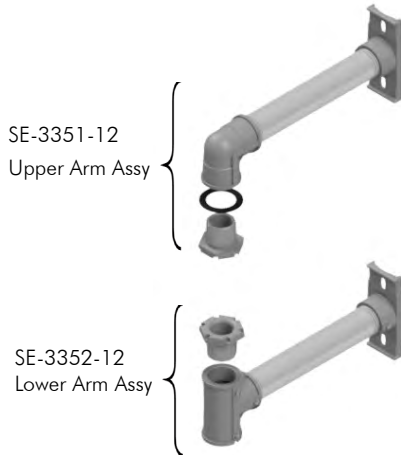
Pelco's Side-of-Pole assemblies are designed to mount traffic and pedestrian signals on the side of traffic signal poles using an upper and lower arm. Available in aluminum or iron, and 1-1/2" NPS, tri-bolt, or tri-stud, and a vast array of hubs to accommodate both 1-way or 2-way signal configurations.



1-Way Upper & Lower ICC Ped Arm Assy, 12" Nipples, Alum

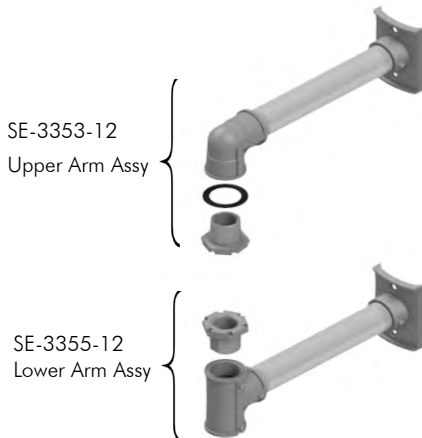
SE-3146 - Coating
 PNC=Process No Color
 P_ =Paint

Note:
 For available hub plates see Components page T14-17 through T14-20.



1-Way Upper & Lower ICC Ped Arm Assy, 12" Nipples, Universal Hub Plates, Alum

SE-3214 - Coating
 PNC=Process No Color
 P_ =Paint



1-Way Upper & Lower ICC Ped Arm Assy, 12" Nipples, Large Pole Hub Plates, Alum

SE-3308 - Coating
 PNC=Process No Color
 P_ =Paint

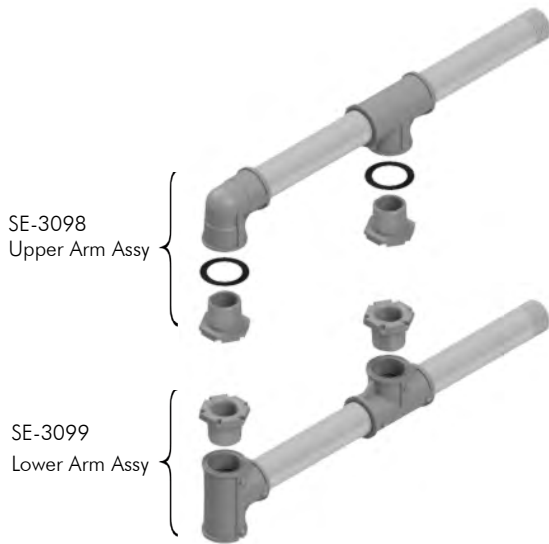
Note: 1. All assemblies are supplied standard with stainless steel fasteners.
 2. See Reference Section page v for available paint colors.



SIDE-OF-POLE

Aluminum 2-Way Side-of-Pole with Cast Nipples

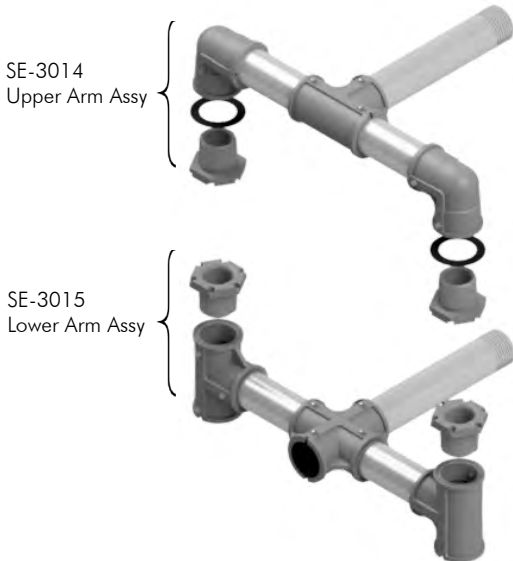
Pelco's Side-of-Pole assemblies are designed to mount traffic and pedestrian signals on the side of traffic signal poles using an upper and lower arm. Available in aluminum or iron, and 1-1/2" NPS, tri-bolt, or tri-stud, and a vast array of hubs to accommodate both 1-way or 2-way signal configurations.



2-Way Upper & Lower Tandem Arm Assy, 10" Nipples, Alum

SE-3100 - Coating
 PNC=Process No Color
 P__=Paint

Note:
 For available hub plates see Components page T14-17 through T14-20.



2-Way Upper & Lower Arm Assy, 16-1/2" CTC, Alum

SE-3075 - Coating
 PNC=Process No Color
 P__=Paint

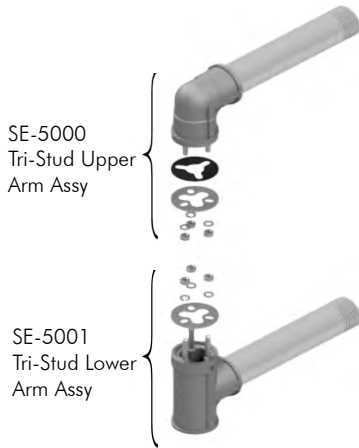
Note:
 For available hub plates see Components page T14-17 through T14-20.

Note: 1. All assemblies are supplied standard with stainless steel fasteners.
 2. See Reference Section page v for available paint colors.



Aluminum 1 & 2-Way Side-of-Pole, Tri-Stud

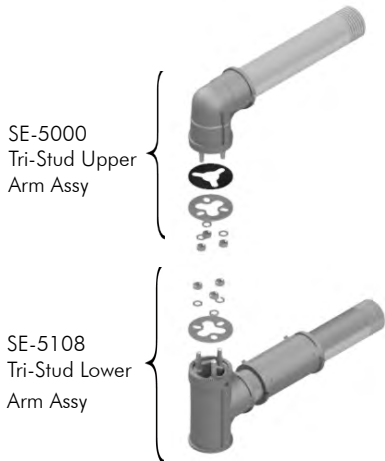
Pelco's Side-of-Pole assemblies are designed to mount traffic and pedestrian signals on the side of traffic signal poles with an upper and lower arm. Available in aluminum or iron, and 1-1/2" NPS, tri-bolt, or tri-stud, and a vast array of hubs to accommodate both 1-way or 2-way signal configurations.



1-Way Upper & Lower Arm Assy, 10" Nipples, Alum

SE-5002 - Coating
 PNC=Process No Color
 P__=Paint

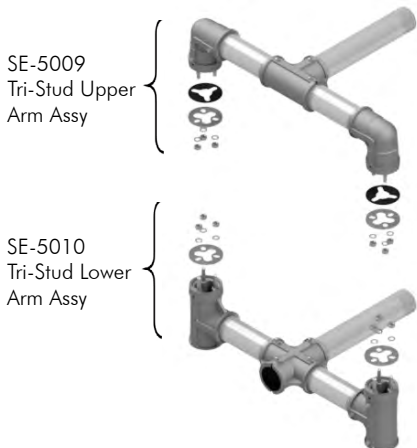
Note:
 For available hub plates see Components page T14-17 through T14-20.



1-Way Upper & Lower Arm Assy, 10" Nipples w/ Adjustable Lower Arm Alum

SE-5109 - Coating
 PNC=Process No Color
 P__=Paint

Note:
 For available hub plates see Components page T14-17 through T14-20.



2-Way Upper & Lower Arm Assy, 16-1/2" CTC, Alum

SE-5011 - Coating
 PNC=Process No Color
 P__=Paint

Note:
 For available hub plates see Components page T14-17 through T14-20.

Note: 1. All assemblies are supplied standard with stainless steel slotted washer and fasteners.
 2. See Reference Section page v for available paint colors.



pelco SIDE-OF-POLE
 PELCO PRODUCTS, INC.

Aluminum Side-of-Pole

Pelco's Side-of-Pole assemblies are designed to mount traffic and pedestrian signals on the side of traffic signal poles with an upper and lower arm. Available in aluminum or iron, and 1-1/2" NPS, tri-bolt, or tri-stud, and a vast array of hubs to accommodate both 1-way or 2-way signal configurations.



1-Way Tri-Stud for 8" & 12" Signals, Alum for 4-1/2" OD Pole

SE-0567 - Coating
 PNC=Process No Color
 P__=Paint



2-Way Tri-Stud for 8" & 12" Signals, Alum for 4-1/2" OD Pole

SE-5186 - Coating
 PNC=Process No Color
 P__=Paint



1-Way Tri-Bolt for 8" Signals, Alum for 4-1/2" OD Pole

SE-5053 - Coating
 PNC=Process No Color
 P__=Paint



1-Way Tri-Bolt for 8" Signals, Alum for 2-7/8" to 3-1/2" OD Pole

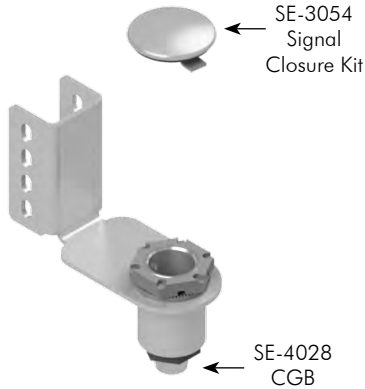
SE-5054 - Coating
 PNC=Process No Color
 P__=Paint

Note: 1. All assemblies are supplied standard with stainless steel slotted washer and fasteners.
 2. See Reference Section page v for available paint colors.



Aluminum Side-of-Pole

Pelco's Side-of-Pole assemblies are designed to mount traffic and pedestrian signals on the side of traffic signal poles with an upper and lower arm. Available in aluminum or iron, and 1-1/2" NPS, tri-bolt, or tri-stud, and a vast array of hubs to accommodate both 1-way or 2-way signal configurations.



1-Way SOP Assy, 1-1/2" NPS, Alum for 2" Square Perforated Pole

SE-3345 - Coating
 PNC=Process No Color
 P__=Paint

1-Way Hub Assy, 1-1/2" NPS, Alum for 4-1/2" OD Pole



SE-3093 - Coating
 PNC=Process No Color
 P__=Paint

2-Way Hub Assy, 1-1/2" NPS, Alum for 4-1/2" OD Pole



SE-3094 - Coating
 PNC=Process No Color
 P__=Paint

1-Way Hub Assy, 1-1/2" NPS, Alum for 2-7/8" to 3-1/2" OD Pole



SE-3216 - Coating
 PNC=Process No Color
 P__=Paint

Note: 1. All assemblies are supplied standard with stainless steel slotted washer and fasteners.
 2. See Reference Section page v for available paint colors.



Iron 1-Way Side-of-Pole with Cast Nipples

Pelco's Side-of-Pole assemblies are designed to mount traffic and pedestrian signals on the side of traffic signal poles with an upper and lower arm. Available in aluminum or iron, and 1-1/2" NPS, tri-bolt, or tri-stud, and a vast array of hubs to accommodate both 1-way or 2-way signal configurations.

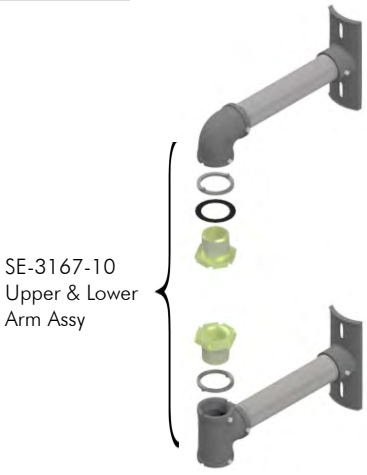


1-Way Upper & Lower Arm Assy, Steel Nipples, Iron

SE-3167 - -

Nipple Length Coating
 06=6" P__=Paint
 08=8"
 10=10"
 12=12"
 14=14"

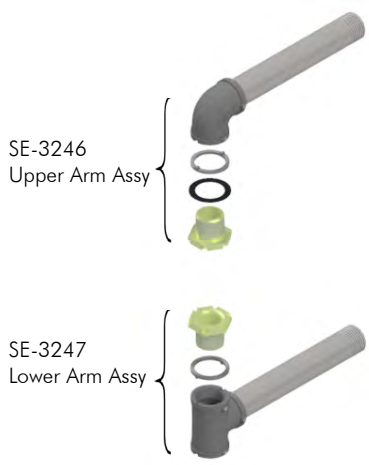
Note:
For available hub plates see Components page T14-17 through T14-20.



1-Way Upper & Lower Arm Assy, 10" Steel Nipples & Iron Hub

SE-3309 -

Coating
 P__=Paint



1-Way Upper & Lower ICC Ped Arm Assy, 12" Steel Nipples, Iron

SE-3248 -

Coating
 P__=Paint

Note:
For available hub plates see Components page T14-17 through T14-20.

Note: 1. All assemblies are supplied standard with stainless steel fasteners.
 2. See Reference Section v for available paint colors.

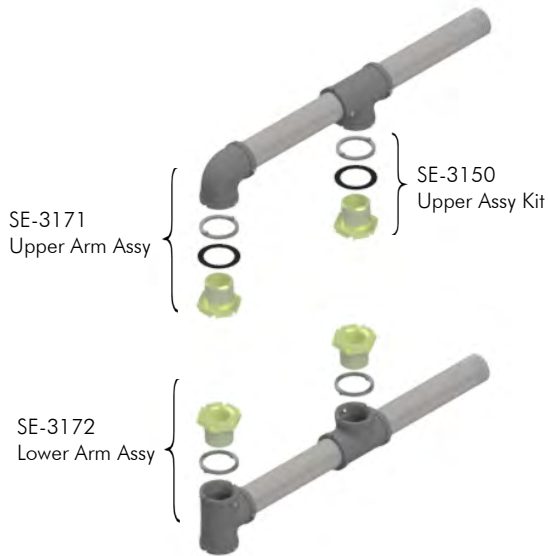


Iron 2-Way Side-of-Pole with Cast Nipples

Pelco's Side-of-Pole assemblies are designed to mount traffic and pedestrian signals on the side of traffic signal poles with an upper and lower arm. Available in aluminum or iron, and 1-1/2" NPS, tri-bolt, or tri-stud, and a vast array of hubs to accommodate both 1-way or 2-way signal configurations.



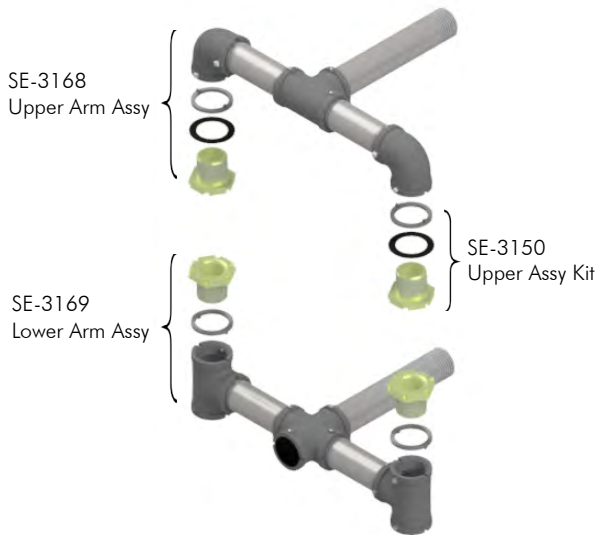
2-Way Upper & Lower Tandem Arm Assy, 10" Steel Nipples, Iron



SE-3173 - Coating
 PNC=Process No Color
 P__=Paint

Note:
 For available hub plates see Components page T14-17 through T14-20.

2-Way Upper & Lower Arm Assy, 16-1/2" CTC, Steel Nipples, Iron



SE-3170 - Coating
 PNC=Process No Color
 P__=Paint

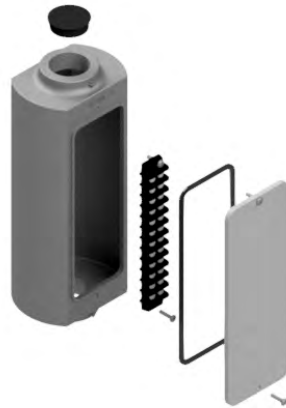
Note:
 For available hub plates see Components page T14-17 through T14-20.

Note: 1. All assemblies are supplied standard with stainless steel fasteners.
 2. See Reference Section v for available paint colors.



Terminal Compartments Aluminum

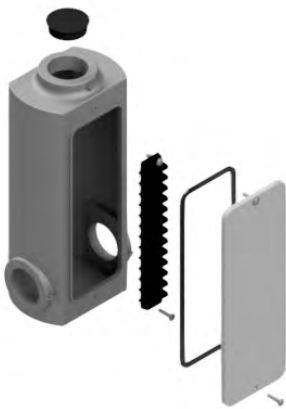
Pelco's aluminum Terminal Compartments are available with a flat back or curved to fit onto the side of a pole. In-line and flat back Terminal Compartments are supplied with a 12-circuit terminal strip and an ABS plastic door.



Terminal Compartment Assy, In-Line Flat Back, Top & Bottom Hubs, Alum

SE-3101 - Coating
 PNC=Process No Color
 P__=Paint

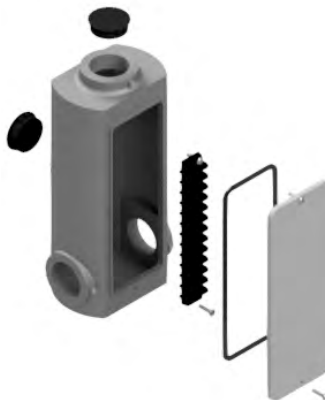
Note:
 Plastic door standard, aluminum door available.



Terminal Compartment Assy, 2-Way Flat Back, Alum

SE-3083 - Coating
 PNC=Process No Color
 P__=Paint

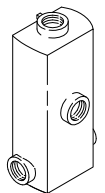
Note:
 Plastic door standard, aluminum door available.



Terminal Compartment Assy, 2-Way Flat Back, Rear Hub, Alum

SE-3084 - Coating
 PNC=Process No Color
 P__=Paint

Note:
 Plastic door standard, aluminum door available.



Rear View

- Note: 1. All assemblies are supplied standard with stainless steel fasteners.
 2. Terminal Compartments supplied standard with plastic door, aluminum door available.
 3. See Reference Section v for available paint colors.



Terminal Compartments Aluminum

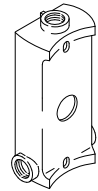
Pelco's aluminum Terminal Compartments are available with a flat back or curved to fit onto the side of a pole. Saddleback Terminal Compartments are supplied with a 12-circuit terminal block and an ABS plastic door.



Terminal Compartment Assy, 2-Way Saddleback w/ Cable Entrance, Alum

SE-3081 - Coating
 PNC=Process No Color
 P__=Paint

Note:
Plastic door standard, aluminum door available.



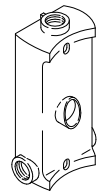
Rear View



Terminal Compartment Assy, 2-Way Saddleback w/ Cable Guide & Mounting Holes, Alum

SE-3078 - Coating
 PNC=Process No Color
 P__=Paint

Note:
Plastic door standard, aluminum door available.



Rear View

SIDE-OF-POLE
pelco
PELCO PRODUCTS, INC.

- Note: 1. All assemblies are supplied standard with stainless steel fasteners.
 2. Terminal Compartments supplied standard with plastic door, aluminum door available.
 3. See Reference Section v for available paint colors.



Terminal Compartments Bronze & Iron

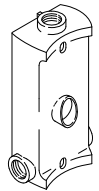
Pelco's bronze and iron Terminal Compartments are available with a curved back to fit onto the side of a pole. Saddleback Terminal Compartments are supplied with a 12-circuit terminal block and an ABS plastic door.



Terminal Compartment Assy, 2-Way Saddleback w/ Cable Guide & Mounting Holes, Bronze

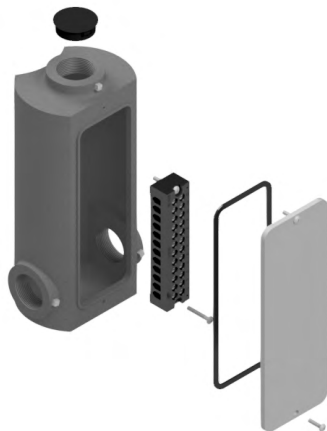
SE-4418 -

Coating
 PNC=Process No Color
 P__=Paint



Rear View

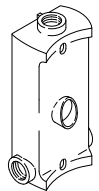
Note:
Plastic door standard, aluminum door available.



Terminal Compartment Assy, 2-Way Saddleback w/ Cable Guide & Mounting Holes, Iron

SE-3330 -

Coating
 GLV=Galvanized
 P__=Paint



Rear View

Note:
Plastic door standard, aluminum door available.

- Note: 1. All assemblies are supplied standard with stainless steel fasteners.
 2. Terminal Compartments supplied standard with plastic door, aluminum door available.
 3. See Reference Section v for available paint colors.



This page is intentionally left blank.

SIDE-OF-POLE

pelco
PELCO PRODUCTS, INC.

